

# Laundry Press - Manually Operated

## FPM-WC



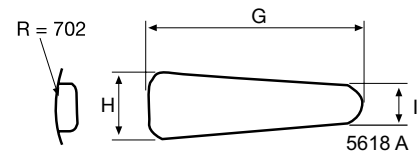
### Features and benefits

- High temperature polished head dries the fabric and gives it a flat finish
- High pressure achieves an excellent finish
- Adjustable pressure regulator for pressing different fabrics
- Padded buck reduces impressions
- Buck/bottom steam for heavy creases and for applying moisture
- Buck vacuum cools fabric and holds it in place

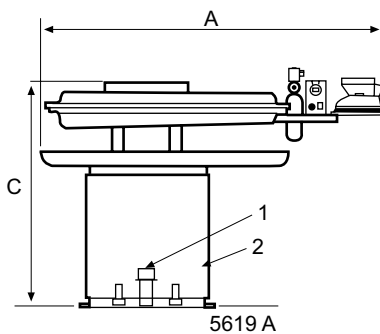
### Main options

- Features that simplify the installation
  - Integral vacuum fan
  - Integral 10, 12, 15 or 18 kW boiler
- All steam iron for safe operation
- Electric steam iron

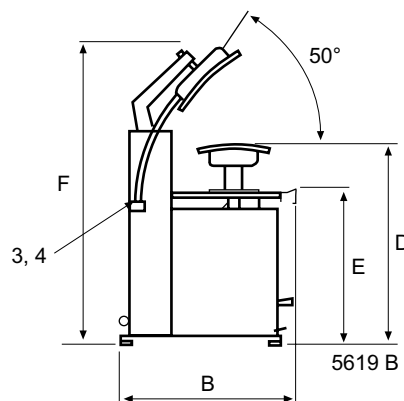
Electrical connections	Standard	Optional			
		Built-in boiler	Built-in vacuum	Electric Steam iron	
Voltage 208-240V 1 AC 50/60 Hz	kW	alt 10		0.25	
Voltage, built-in boiler					
208-240V 3 AC 50/60 Hz	alt 10kW	-	10	-	-
230V 3 AC 50/60 Hz	12kW	-	12	-	-
380-400V 3 AC 50 Hz	15kW	-	15	-	-
	18kW	-	18	-	-
Steam, air and vacuum connection					
Steam	DN	15	-	15	15
Rec. steam pressure	kPa	500	-	500	500
Steam consumption	kg/h	20	-	20	20
Condensate	DN	15	-	15	15
Central vacuum	mm	Ø100	Ø100	-	Ø100
Vacuum air consumption	m <sup>3</sup> /h	400	400	-	400
Vacuum depression	mm H <sub>2</sub> O	250	250	-	250
Weight (with boiler)					
	net, kg	226	320		
	crated, kg	294	370		
	boxed, kg	344	425		
Dimensions in mm					
A	Width	1470	1470	1470	
B	Depth	1135	1135	1135	
C	Height	1270	1270	1270	
D		1030	1030	1030	
E		800	800	800	
F		1600	1600	1600	
G		1190	1190	1190	
H		370	370	370	
I		230	230	230	
<ol style="list-style-type: none"> <li>1 Close pedal</li> <li>2 Electrical connection - iron, vacuum, boiler only</li> <li>3 Steam connection</li> <li>4 Condensate</li> <li>5 Water supply - internal boiler only</li> <li>6 Boiler drain - internal boiler only</li> <li>7 Vacuum outlet - internal boiler only</li> </ol>					



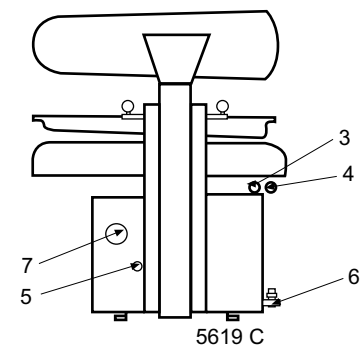
Utility shape  
FPM-WC



Front



Left side



Rear side